

# FPV DIY Kit Skyrend 5

## User manual



---

## Content

1. Product overview.....	3
2. Assembly.....	3
Contacts: .....	8

## 1. Product overview



Fig.1. FPV DIY Kit Skyrend 5

## 2. Assembly

The side of the left picture without rivet nuts is the top of the carbon plate, and the side with four rivet nuts on the right is the bottom of the carbon plate.

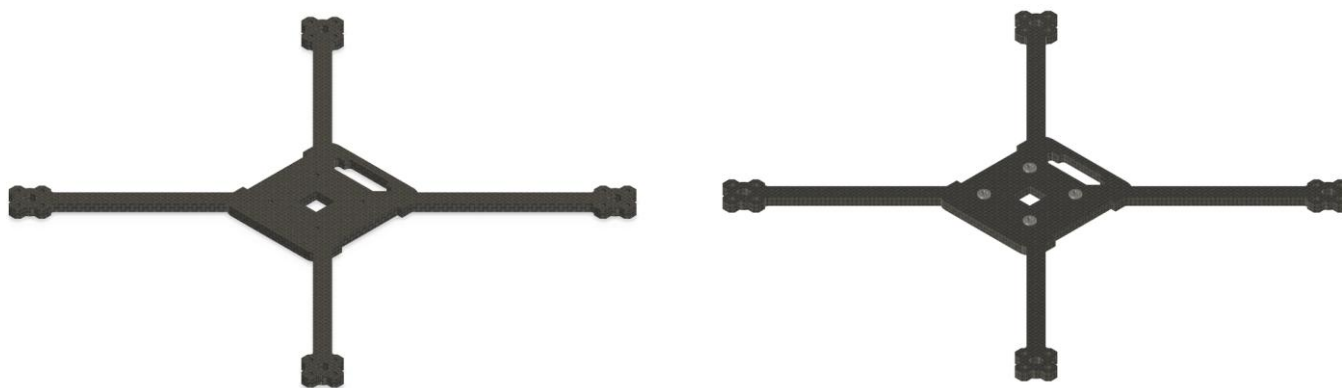


Fig.2. Plate

1. Install M3X28 mm round head screws. Screw four M3 X 28 mm round head screws from the top of the carbon plate down wards. Pass the ESC power cable and all wiring harnesses through the opening in the

carbon plate. Install M3 nylon nuts between the ESC and flight controller and install M3 lock nuts at the ends of the screws (4 M3 X 8 screws, 4 nylon nuts, 4 lock nuts).

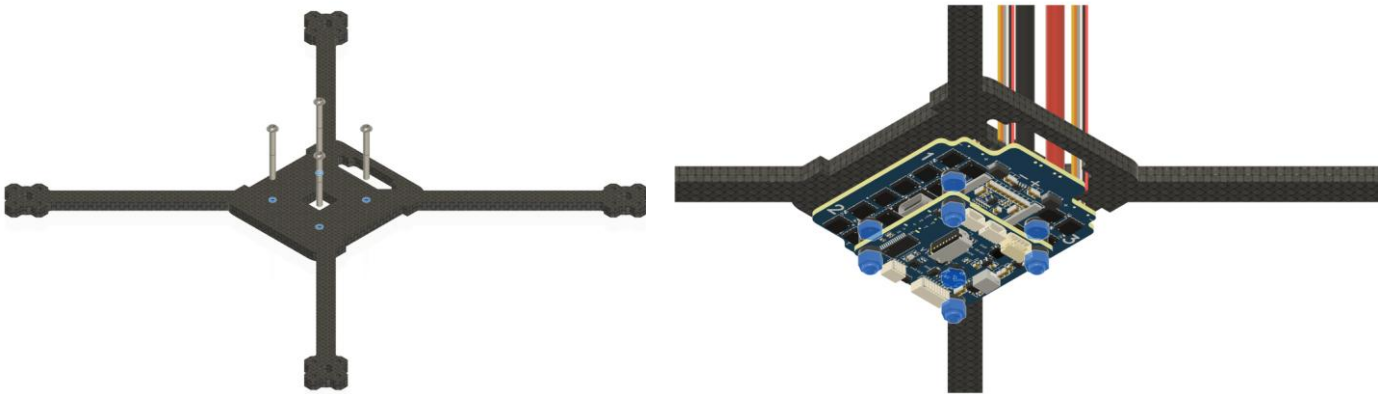


Fig.3. ESC assembly

2. Install the motors. For the 2312 motor, use M3X8 screws; for the 3115 motor, use M3X10 screws. You can use acetate tape to stack the motor wires in a triangular shape to facilitate wiring and installation and then solder the motor wires to the ESC pads in sequence. (16 motor mounting screws, acetate tape).

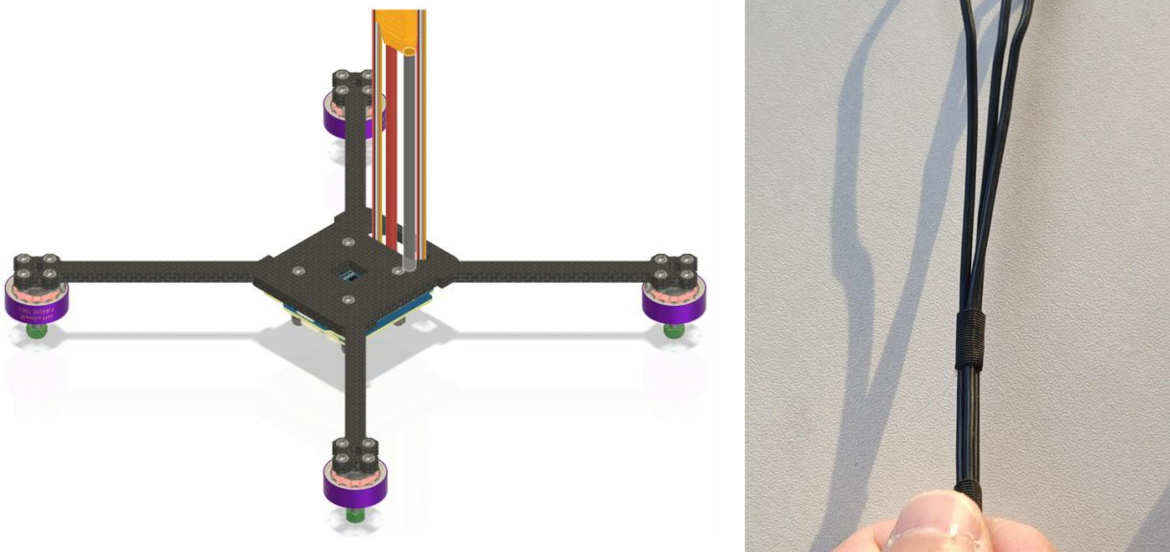
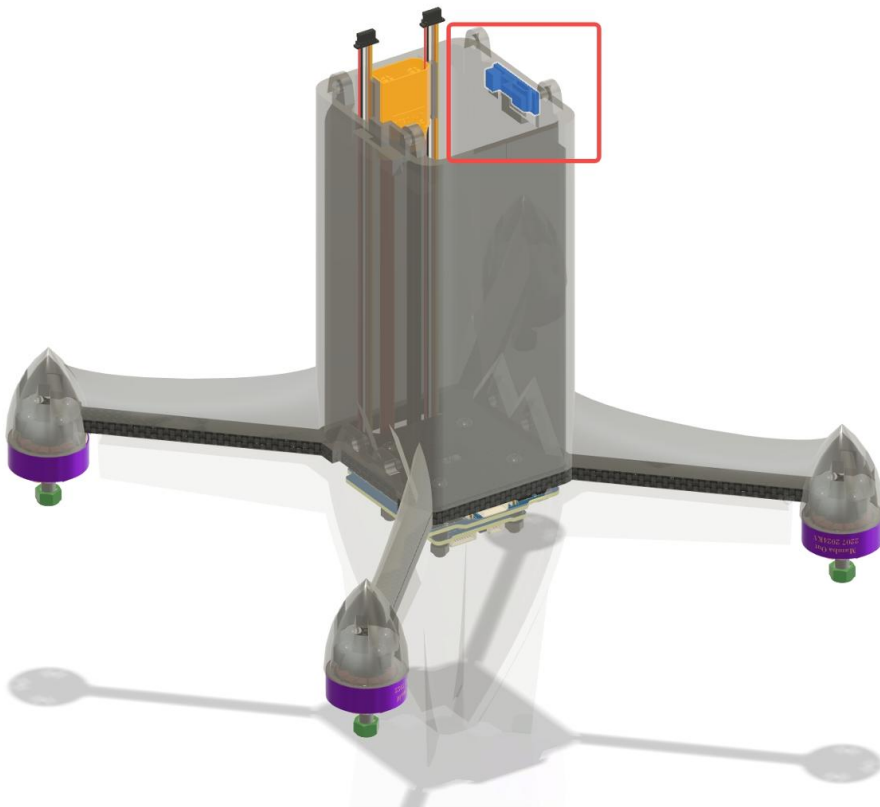
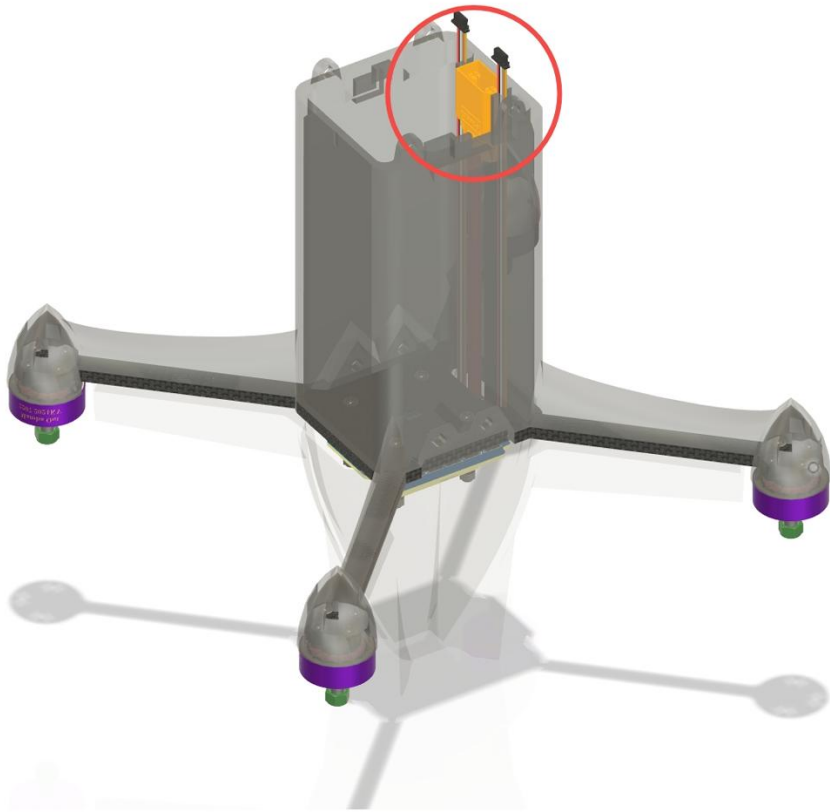


Fig.4. Motors assembly

3. Secure the XT90 connector to the power connector mounting position inside the housing, use 502 glue to secure the Type-C adapter to the Type-C mounting position, remove the 3M adhesive on the receiver and stick it inside the tail printed part housing, insert the antenna inside, align the tail printed part body with the main body housing and use M3 X 8 counter sunk screws to secure the main body and the tail body. (4 M3 X 8 counter sunk nuts, 502 glue).



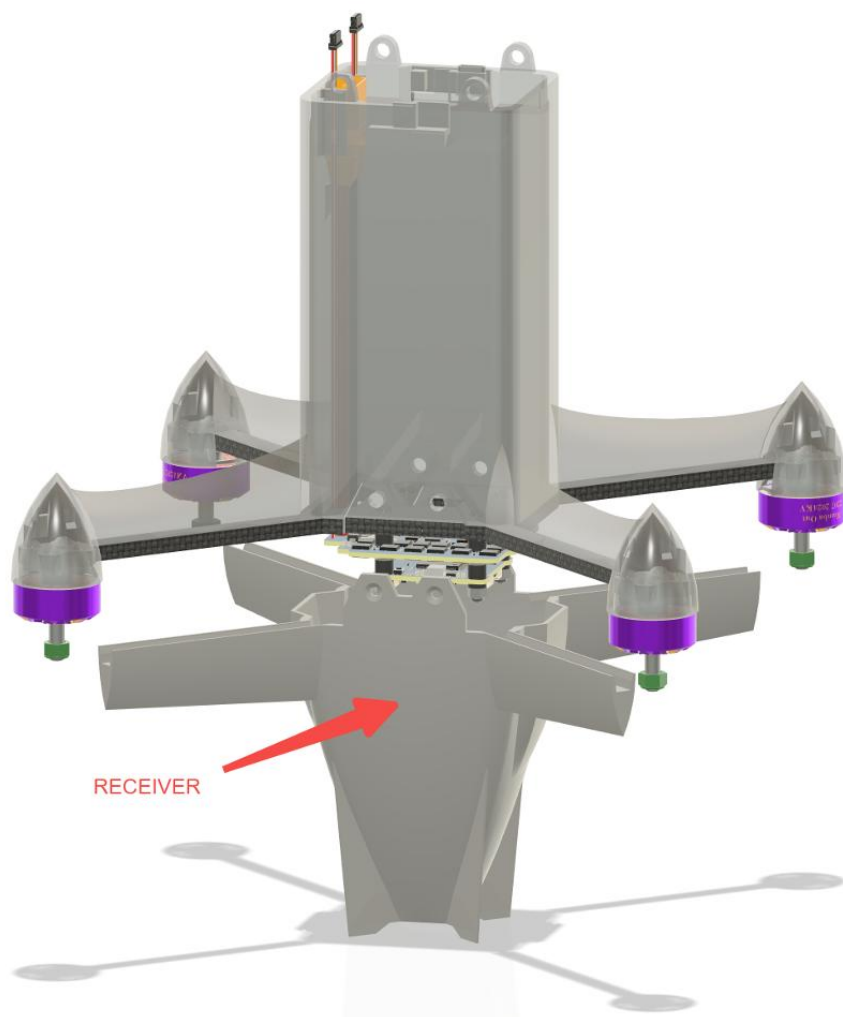


Fig.5. Housing installation

4. Insert the cable into the O4lite video transmitter, power on the aircraft to activate the O4 video transmitter, then pair the goggles with the video transmitter. After pairing is completed, unplug the power supply and cable, insert the camera into the camera fixing port with the video transmitter cable socket facing outwards, install the video transmitter using M2 X 12 screws, position the GPS ceramic antenna facing the housing, and secure the video transmitter antenna in the fixed position (four M2 X 12 screws).

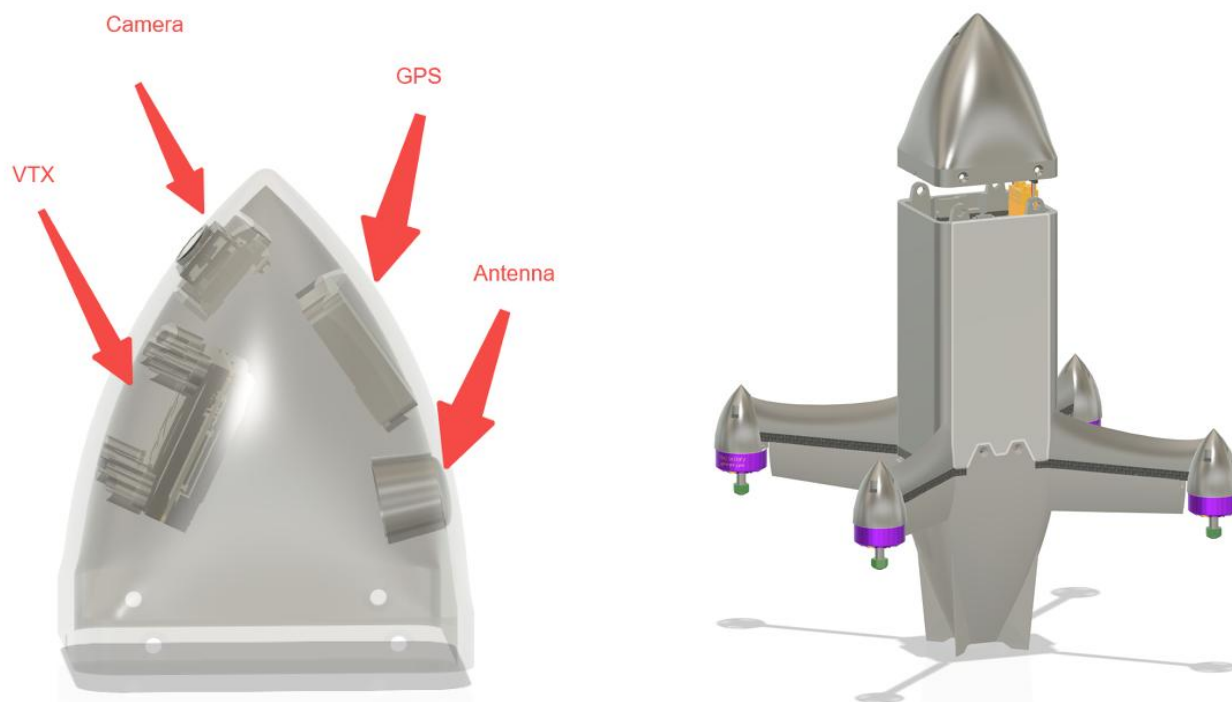


Fig.6. Head installation

5. After frequency matching with the remote control and glasses, check the aircraft steering, whether the parameters are correct, whether the communication is normal, and the blade gasket can be installed after error, the smooth surface fits the motor, and the blade is installed. The blade rotates to the default reverse, and the blade logo faces the sky. Use the M5 nut to lock the blade (pay attention not to be touched by the external transmission of the motor).



Fig.7. Camera location

## Contacts:

WhatsApp: +420 777 054 888

Email: [support@pilotix.eu](mailto:support@pilotix.eu)

Telegram: [https://t.me/PilotixSupport\\_bot](https://t.me/PilotixSupport_bot)