



Pilotix 4214-660KV is a brushless FPV motor featuring a 12N14P configuration with a 42x14mm stator. The motor operates within a voltage range of 24V to 33.6V rated voltage, delivering a maximum power output of 1718.7W with maximum current draw of 78.2A. Internal resistance measures 28mΩ with a no-load current of 1.5A. The unit features outer dimensions of 50.4mm diameter by 38mm height, equipped with a 6mm diameter shaft extending 22.5mm in length. Includes 14AWG silicone cables measuring 390mm and utilizes a 30x30mm M4 mounting pattern. Total weight is 261.5g.

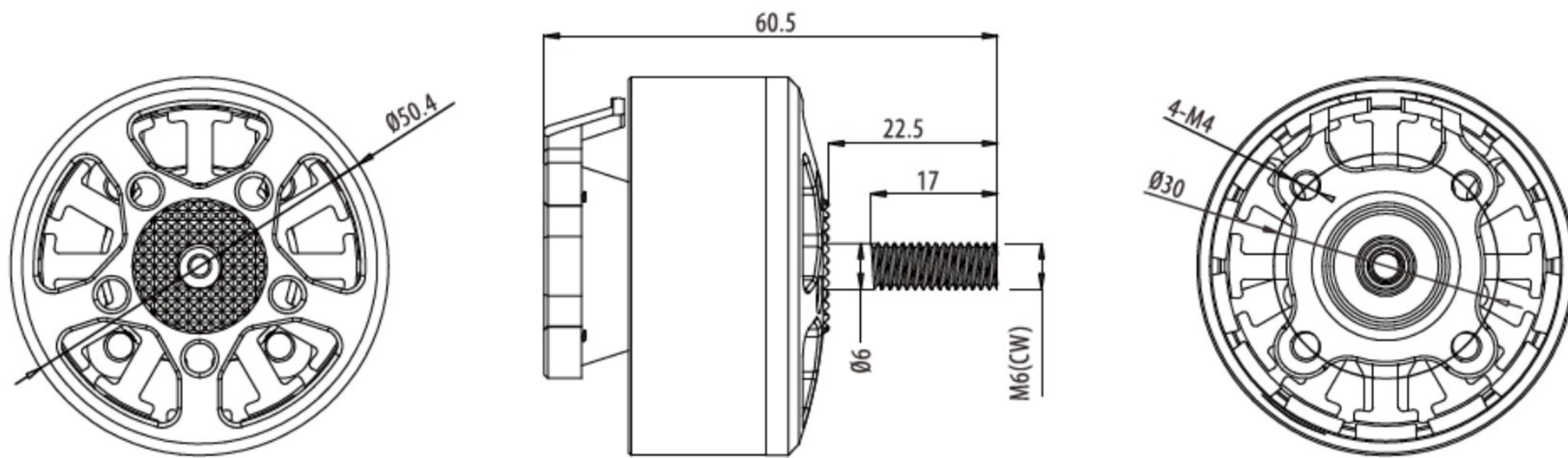
Product details	
Model	4214-660KV
SKU	6287
Electrical specification	
Motor KV	660 KV
Rated voltage	33.6 V
Operating voltage range	24 - 33.6 V
Maximum current	78.2 A
Maximum power	1718.7 W
Internal resistance	28 mΩ
Mechanical specifications	
Configuration	12N14P
Stator size	42 x 14 mm
Shaft size	6 x 22.5 mm
Motor dimensions	50.4 x 38 mm
Silicone cable	14 AWG
Cable length	390 mm
Mounting	30 x 30 mm (M4)
Weight	261.5 g

**Common**

Warranty

2 years

**Mechanical specification**



**Motor performance data**

Throttle (%)	Commutation speed (RPM)	Voltage (V)	Current (A)	tensile force (g)	Torque (N·m)	Infrared temperature- (°C)	Electrical power (W)	Shaft power (W)	Electric Drive Efficiency (%)	Paddle Efficiency (gf/W)	System Efficiency (gf/W)
10	1255	22.27	0.51	69	0.062	26.5	11.4	8.1	71.1	8.5	6.0
20	2869	22.25	1.91	319	0.096	26.7	42.5	28.8	67.8	11.1	7.5
30	4060	22.23	3.88	715	0.149	27.0	86.3	63.3	73.3	11.3	8.3
40	5234	22.17	7.75	1236	0.246	27.2	171.8	134.8	78.5	9.2	7.2
50	6199	22.09	12.86	1750	0.347	27.4	284.1	225.3	79.3	7.8	6.2
60	7343	21.95	21.09	2512	0.490	28.0	462.9	376.8	81.4	6.7	5.4
70	8377	21.79	31.49	3265	0.646	28.6	686.2	566.7	82.6	5.8	4.8
80	9328	21.59	45.01	4044	0.820	29.5	971.8	801.0	82.4	5.0	4.2
90	10129	21.36	60.00	4862	0.990	30.4	1281.6	1050.1	81.9	4.6	3.8
100	10908	21.06	79.06	5740	1.180	31.7	1665.0	1347.9	81.0	4.3	3.4