

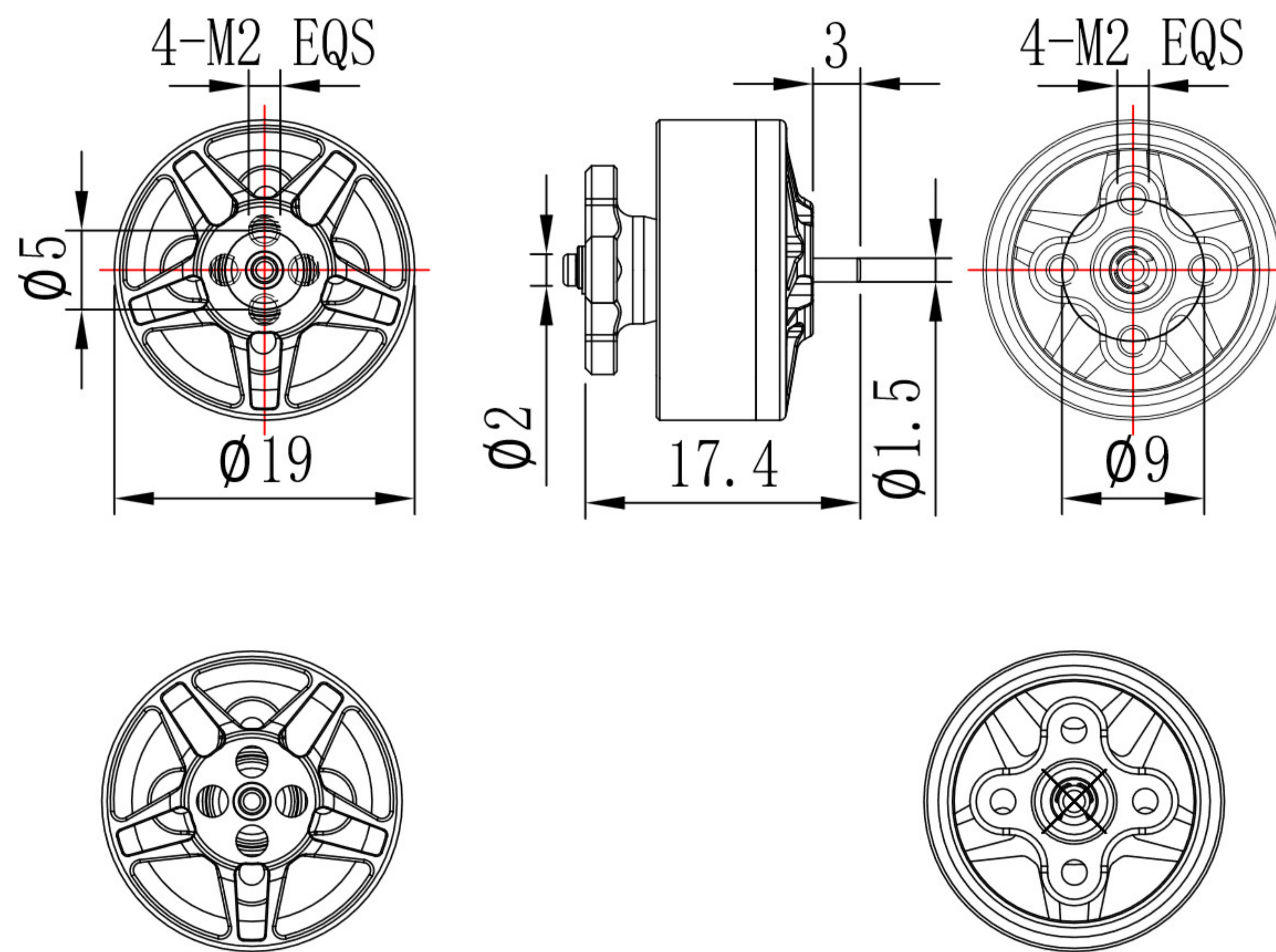


The Pilotix 1405 4800KV is an FPV brushless motor that operates at a high RPM due to its 4800KV rating, designed for enhanced propulsion in drone applications. The motor is equipped with precision bearings and features a robust stator and magnet configuration to ensure reliable performance under various load conditions. It includes mounting options that facilitate installation within standard drone frames and operates effectively within specified electrical parameters, providing consistent thrust and efficiency. The design incorporates a compact form factor, making it suitable for various drone setups without compromising on weight.

Product details	
Model	1405 4800KV
SKU	5410
Electrical specification	
Motor KV	4800 KV
Rated Voltage	16 V
Operating Voltage Range	14.8 - 16.8 V
Maximum current	18 A
Maximum power	288 W
No-load current	0.7 A @ 10 V
Internal resistance	125 mΩ
Mechanical specification	
Configuration	9S12P
Stator / Magnets	N52SH arc
Stator size	14 x 5 mm
Shaft size	1.5 x 3 mm
Motor dimensions	19 x 17.4 mm
Silicone cable	22 AWG
Silicone cable length	100 mm

Mounting	9 x 9 mm (M2)
Weight	12.4 g
Common	
Warranty	2 years

Mechanical specification



Motor performance data

Model	Propeller	Voltage (v)	Throttle (%)	Current (A)	Thrust (g)	Efficiency (g/w)	Input (W)	Speed (RPM)
P 1405 4800KV	CF D63-3B	16.0	30	1.08	52	3.00	17.35	
		16.0	40	2.44	96	2.46	39.03	
		16.0	50	1.52	161	2.22	72.28	
		16.0	60	6.68	213	2.00	106.80	
		16.0	70	8.98	276	1.92	143.67	
		16.0	80	11.84	327	1.72	189.39	
		16.0	90	15.42	396	1.60	246.67	
		16.0	100	19.98	483	1.51	319.68	
Remark	The above data represents the test samples only							