

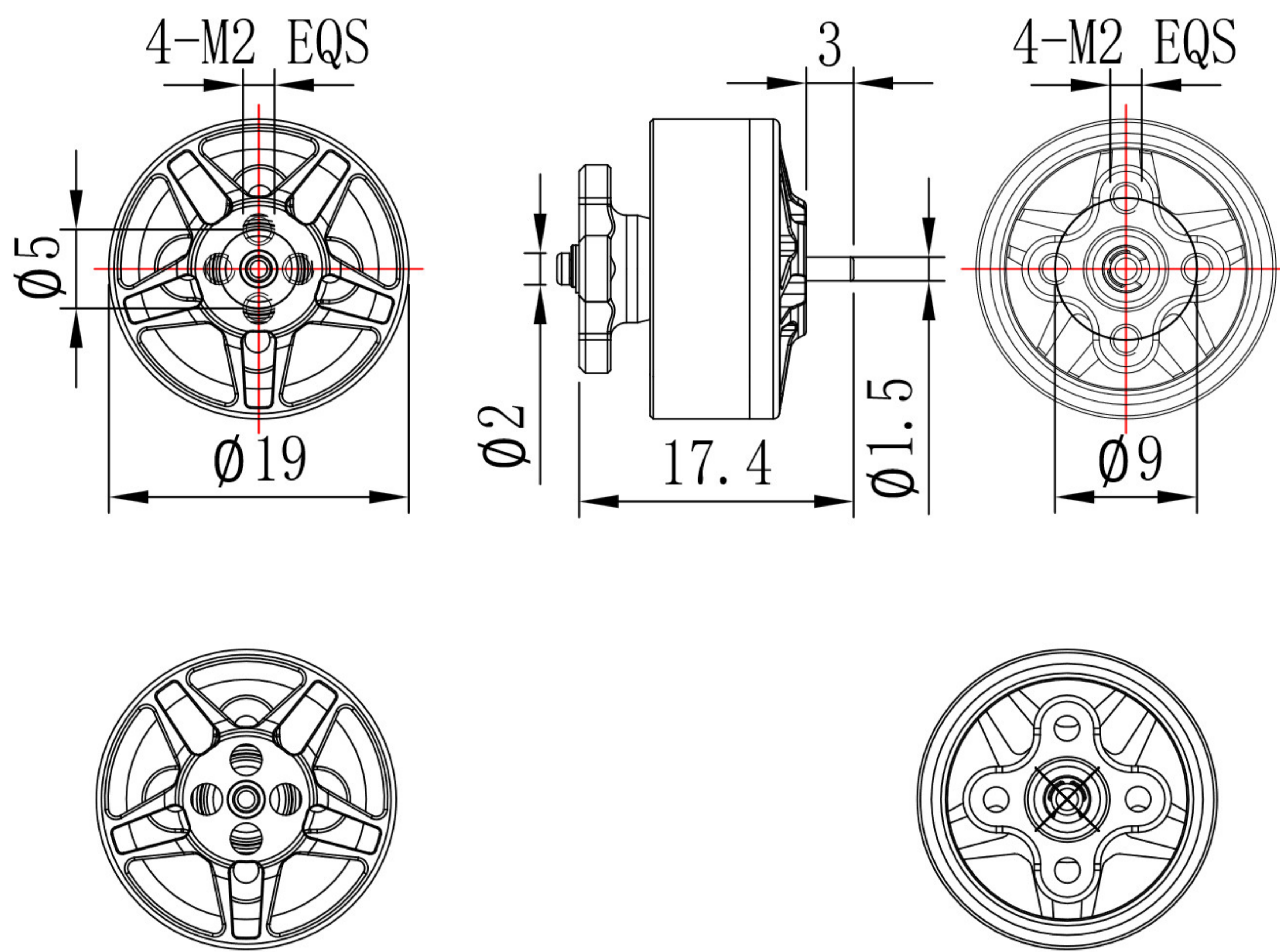


The Pilotix 1405 3200KV is a brushless motor featuring a motor KV rating of 3200. It operates at a rated voltage of 24V and supports an operating voltage range from 22.2V to 25.2V, with a maximum current of 12.01A and maximum power output of 288.24W. The motor utilizes N52SH arc magnets in its construction and has a stator size of 14mm in diameter and 5mm in length, along with a shaft diameter of 1.5mm and a length of 3mm. It is designed with a mounting configuration of 9 x 9 mm (M2) and has a total weight of 12.3g.

Product details	
Model	1405 3200KV
SKU	5409
Electrical specification	
Motor KV	3200 KV
Rated Voltage	24 V
Operating Voltage Range	22.2 - 25.2 V
Maximum current	12.01 A
Maximum power	288.24 W
No-load current	0.4 A @ 10 V
Internal resistance	270 mΩ
Mechanical specification	
Configuration	9S12P
Stator / Magnets	N52SH arc
Stator size	14 x 5 mm
Shaft size	1.5 x 3 mm
Motor dimensions	19 x 17.4 mm
Silicone cable	24 AWG
Silicone cable length	100 mm

Mounting	9 x 9 mm (M2)
Weight	12.3 g
<b>Common</b>	
Warranty	2 years

### Mechanical specification



### Motor performance data

Model	Propeller	Voltage (v)	Throttle (%)	Current (A)	Thrust (g)	Efficiency (g/w)	Input (W)	Speed (RPM)
P 1405 3200KV	CF D63-3B	24.0	30	0.27	19	2.91	6.51	
		24.0	40	1.08	64	2.47	26.02	
		24.0	50	2.020	132	2.50	52.86	
		24.0	60	3.34	183	2.10	87.28	
		24.0	70	5.58	248	1.085	133.91	
		24.0	80	7.78	320	1.71	186.76	
		24.0	90	10.68	388	1.51	256.43	
		24.0	100	14.37	498	1.44	344.80	
Remark	The above data represents the test samples only							