



The Pilotix 1205 5500KV is an FPV motor featuring a motor KV rating of 5500, which indicates its revolutions per minute per volt ratio. This motor operates within a voltage range of 7.4V to 16.8V and supports a maximum current of 18A, delivering up to 250W of power. Mechanically, it is configured with a 9M12P design and includes N52H stator magnets, with a stator size of 12mm in diameter and 5mm in length. The motor dimensions are 16.75mm in diameter and 13.83mm in height, weighing 9g, and equipped with a silicone cable of 22 AWG and a length of 100mm.

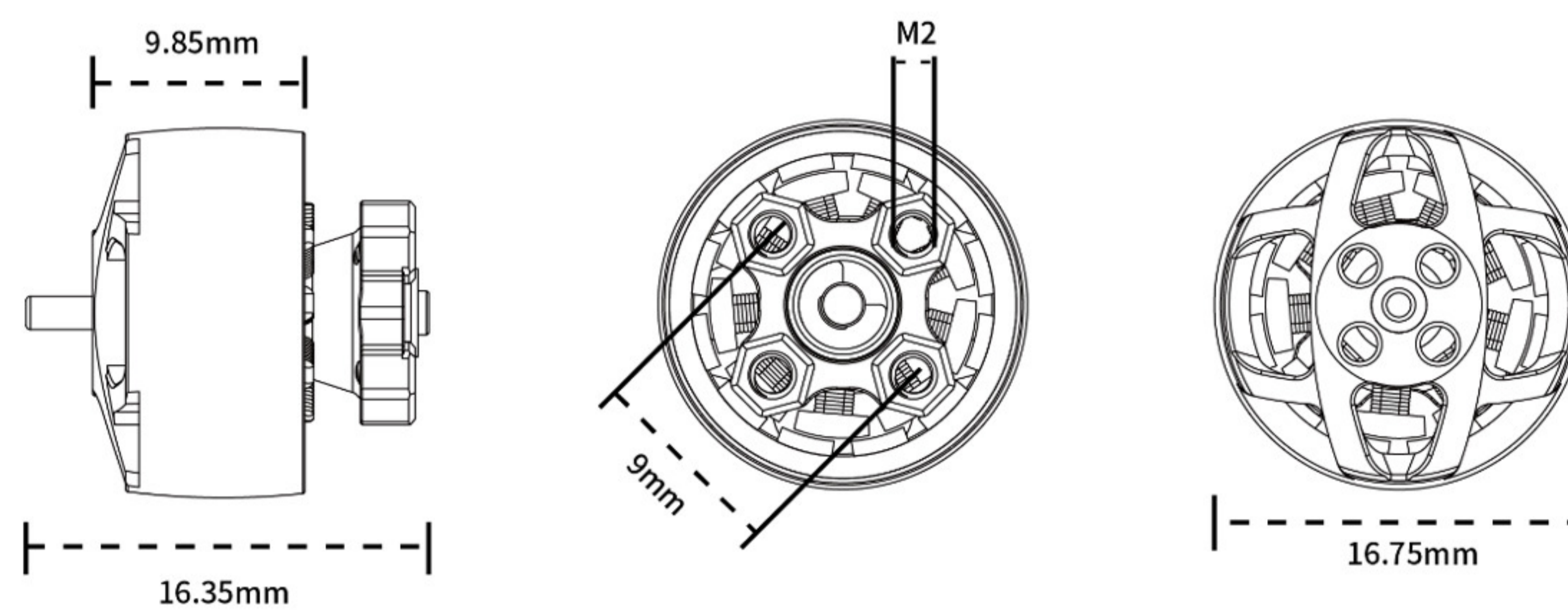
Product details	
Model	1205 5500KV
SKU	5408
Electrical specification	
Motor KV	5500 KV
Rated Voltage	16.8 V
Operating Voltage Range	7.4 - 16.8 V
Maximum current	18 A
Maximum power	250 W
Mechanical specification	
Configuration	9M12P
Stator / Magnets	N52H
Stator size	12 x 5 mm
Shaft size	1.5 x 2 mm
Motor dimensions	16.75 x 13.83 mm
Silicone cable	22 AWG
Silicone cable length	100 mm
Mounting	9 x 9 mm (M2)
Weight	9 g

Common

Warranty

2 years

Mechanical specification



Motor performance data

Model	Propeller	Throttle (%)	Voltage (v)	Current (A)	Thrust (g)	Input (w)	Efficiency (g/w)
1205-5500KV	GF D51X5	20	15.8	1.5	50.2	23.7	2.21
		40	15.8	3.8	113.2	60.1	1.9
		60	15.8	6.9	176.5	109	1.62
		80	15.8	10.8	243.9	170.6	1.43
		100	15.8	16.2	356.5	256	1.4
	HQ T51X4	20	15.8	1.4	56	22.1	2.53
		40	15.8	3.5	123.4	55.3	2.23
		60	15.8	6.5	181.3	102.7	1.76
		80	15.8	11	258.5	173.8	1.49
		100	15.8	15.9	370	251.2	2.476
	GF D51X4	20	15.8	1.3	54.6	20.5	2.76
		40	15.8	3.3	120	52.1	2.3
		60	15.8	6.3	186.1	99.5	1.87
		80	15.8	10.4	256.6	164.3	1.56
		100	15.8	15.6	386.2	246.5	1.57
Remark	The above data represents the test samples only						