

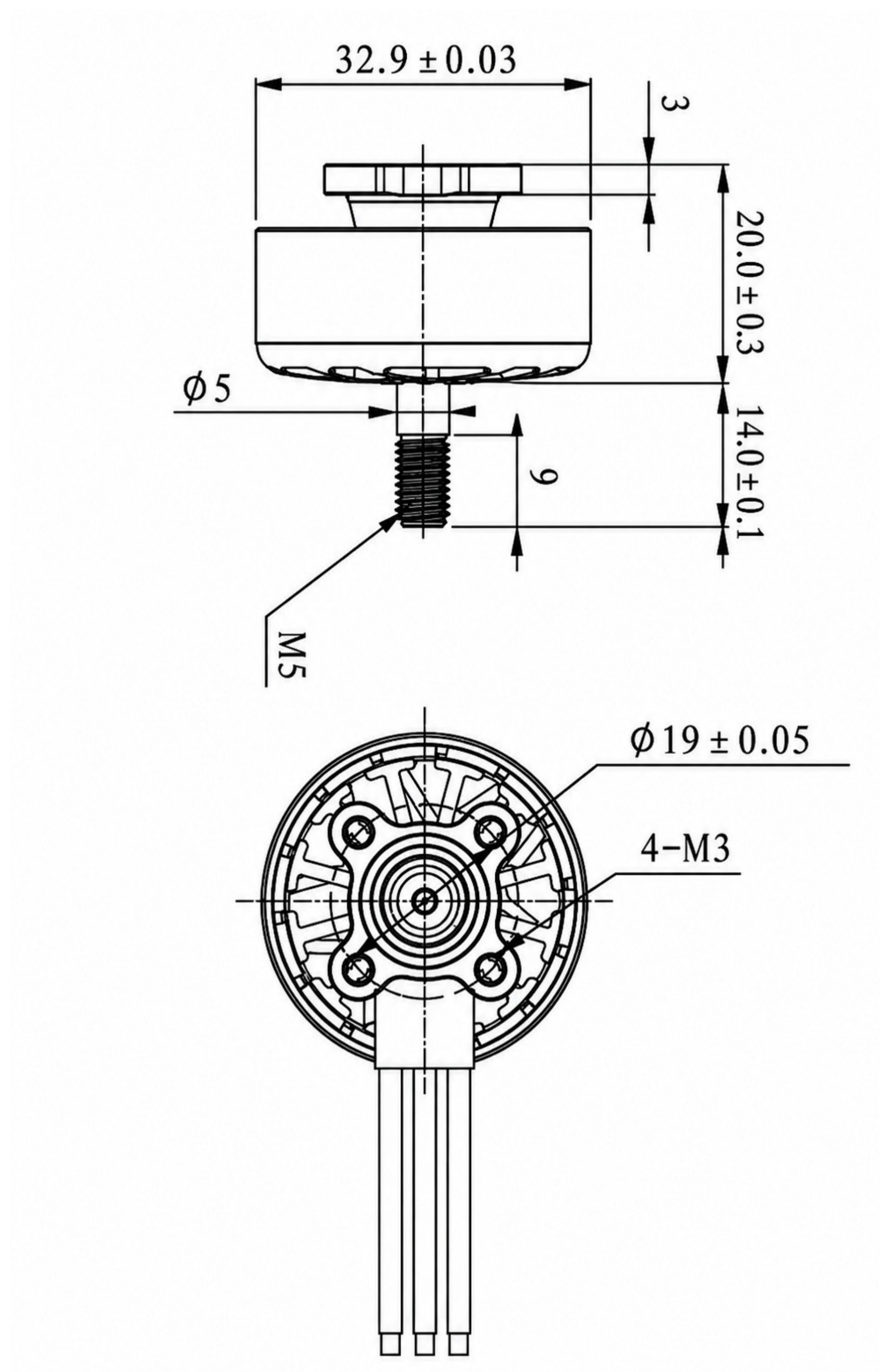


The Pilotix 2807 1300KV is a brushless FPV motor designed for high-performance applications. It operates at a rated voltage of 22.2V and has an operating voltage range of 14.8V to 25.2V, making it suitable for various drone configurations. This motor features a KV rating of 1300, with a maximum current draw of 47.1A and a maximum power output of 1250W. The mechanical design includes a 12N14P configuration, a stator size of 28 mm in diameter and 7 mm in length, and overall motor dimensions of 32.9 mm in diameter and 20 mm in height, while weighing 53.5 grams.

| Product details          |                 |
|--------------------------|-----------------|
| Model                    | 2807 1300KV     |
| SKU                      | 4253            |
| Electrical specification |                 |
| Motor KV                 | 1300 KV         |
| Rated voltage            | 22.2 V          |
| Operating voltage range  | 14.8 - 25.2 V   |
| Maximum current          | 47.1 A          |
| Maximum power            | 1250 W          |
| No-load current          | 1.1 A @ 10 V    |
| Internal resistance      | 67.5 mΩ         |
| Mechanical specification |                 |
| Configuration            | 12N14P          |
| Stator size              | 28 x 07 mm      |
| Shaft size               | 5 x 14 mm       |
| Motor dimensions         | 32.9 x 20 mm    |
| Silicone cable           | 16 AWG          |
| Cable length             | 260 mm          |
| Mounting                 | 19 x 19 mm (M3) |

|               |         |
|---------------|---------|
| Weight        | 53.5 g  |
| <b>Common</b> |         |
| Warranty      | 2 years |

**Mechanical specification**



**Motor performance data**

| Motor          | Prop      | Throttle (%) | Voltage (V) | Current (A) | Pull (g) | Power (W) | Efficiency (g/W) | Temp (°C) |
|----------------|-----------|--------------|-------------|-------------|----------|-----------|------------------|-----------|
| 2807<br>1300KV | 7.0*4.0*3 | 50%          | 25.2        | 2.3         | 300      | 57.96     | 5.18             | 102°C     |
|                |           | 60%          | 25.2        | 4.1         | 500      | 103.32    | 4.84             |           |
|                |           | 70%          | 25.2        | 6.4         | 700      | 161.28    | 4.34             |           |
|                |           | 80%          | 25.2        | 9.3         | 900      | 234.36    | 3.84             |           |
|                |           | 90%          | 25.2        | 12.5        | 1100     | 315.00    | 3.49             |           |
|                |           | 100%         | 25.2        | 45.2        | 2490     | 1139.04   | 2.19             |           |

